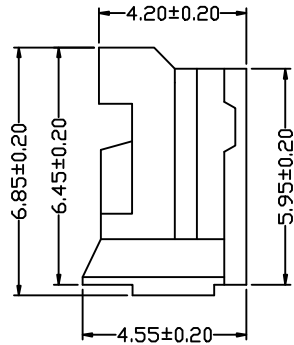
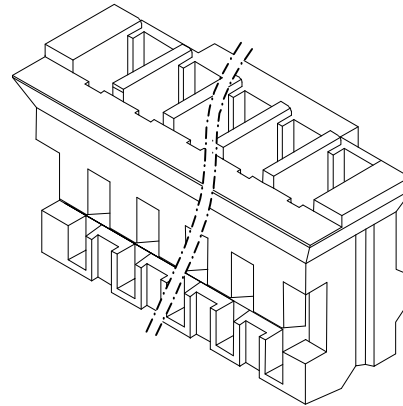
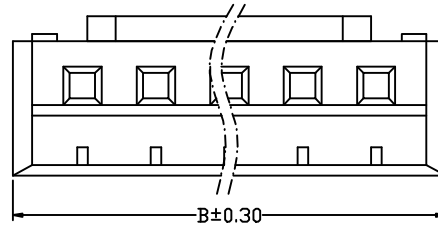
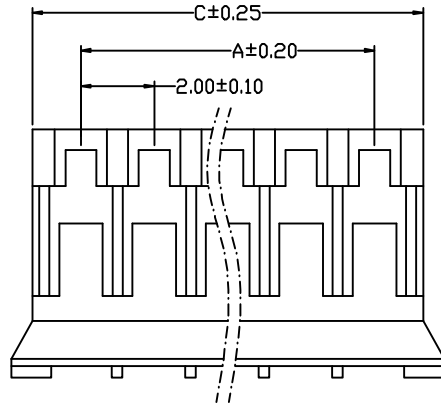


环保物料



■ Specifications

- Voltage rating : 100V AC/ DC
- Current rating : 2A AC/DC
- Withstanding voltage : 800V AC/Minute.
- Insulation resistance : 1000M Ω Min.
- Temperature range : - 25 ℃ to + 85 ℃
- Contact resistance : Initial value/10m Ω Max.
- After environmental testing/20m Ω Max.

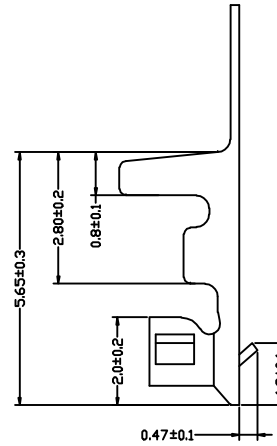
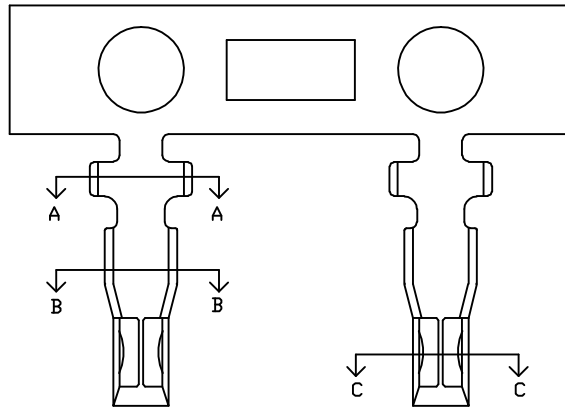
■ Housing

- Part No. :J2000H-XX
- Poles : 02-20
- Material : Nylon 66 UL94V-0
- Suitable HLB J2000T series Terminal
- Mates with HLB J2001W,WR,WS,WRS series Wafer
- Q'ty : 1,000 Pcs/Bag

| Poles | Part No | Dimensions (mm) | | |
|-------|----------|-----------------|-------|-------|
| | | A | B | C |
| 2 | 2016A-02 | 2.00 | 5.80 | 4.60 |
| 3 | 2016A-03 | 4.00 | 7.80 | 6.60 |
| 4 | 2016A-04 | 6.00 | 9.80 | 8.60 |
| 5 | 2016A-05 | 8.00 | 11.80 | 10.60 |
| 6 | 2016A-06 | 10.00 | 13.80 | 12.60 |
| 7 | 2016A-07 | 12.00 | 15.80 | 14.60 |
| 8 | 2016A-08 | 14.00 | 17.80 | 16.60 |
| 9 | 2016A-09 | 16.00 | 19.80 | 18.60 |
| 10 | 2016A-10 | 18.00 | 21.80 | 20.60 |
| 11 | 2016A-11 | 20.00 | 23.80 | 22.60 |
| 12 | 2016A-12 | 22.00 | 25.80 | 24.60 |
| 13 | 2016A-13 | 24.00 | 27.80 | 26.60 |
| 14 | 2016A-14 | 26.00 | 29.80 | 28.60 |
| 15 | 2016A-15 | 28.00 | 31.80 | 30.60 |
| 16 | 2016A-16 | 30.00 | 33.80 | 32.60 |
| 17 | 2016A-17 | 32.00 | 35.80 | 34.60 |
| 18 | 2016A-18 | 34.00 | 37.80 | 36.60 |
| 19 | 2016A-19 | 36.00 | 39.80 | 38.60 |
| 20 | 2016A-20 | 38.00 | 41.80 | 40.60 |

| | | | | | | | | | | | | | | | | |
|------------|-------------|-------------|------------------|--|---|---------|---------|--------|--|------------|---------------|------------------|---------------------------------|-------------|--|--|
| | | | | | <p>一般公差 GENERAL TOLERANCE</p> <p>.X ±0.3</p> <p>.XX ±0.2</p> <p>.XXX ±0.1</p> | | | | <p>东莞市翰皓精密电子有限公司 Dongguan HanHao Precision Electronics Co.,Ltd</p> | | | | <p>料号 PART NO J2000H-XX</p> | | | |
| | | | | | <p>角法 PROJECT</p> <p>⊕ ⊖</p> | | | | <p>品名 TITLE 2.0 mm Crimp Style connectors</p> | | | | | | | |
| 2011/05/14 | A | B | 修改图框格式 | | | | 核准 APPD | 审核 CHK | 绘图 DR | 日期 DATA | | | | | | |
| 日期 DATE | 旧版次 OLD REV | 新版次 NEW REV | 变更内容 DESCRIPTION | | 审核 CHK | 核准 APPD | SUCCESS | | 刘艳 | 2007/05/03 | 单位 UNIT MM | 比例 SCALE 1: 4 | 图号 NUMBER A-070 | 版次 REV B | | |

环保物料

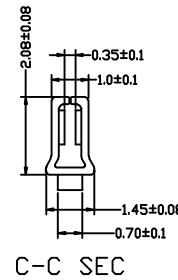
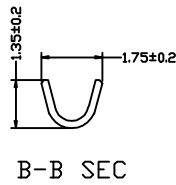
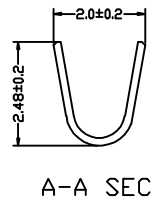


■ Terminal

- Part No. : J2000T
- Applicable wires:AWG #22-28
- Material : Phos. Bronze
- Finish: Tin plated
- Thickness : 0.2mm
- Used in HLB J2000H series Housing
- Q'ty : 1000 pcs/roll

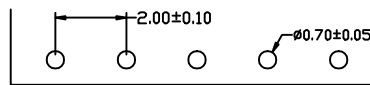
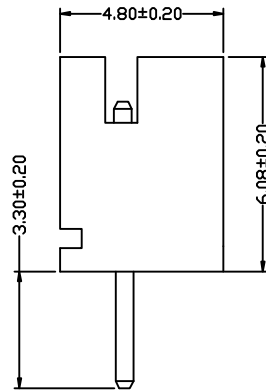
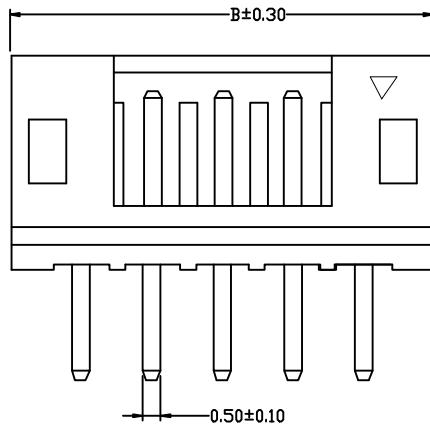
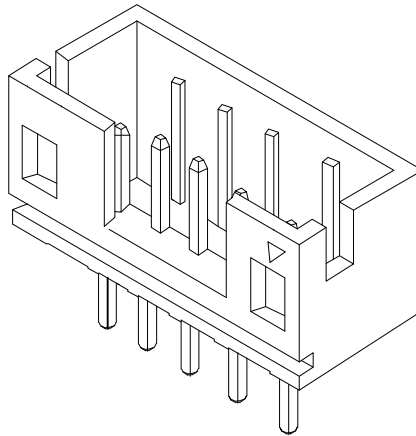
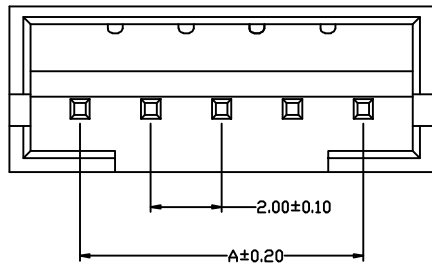
■ Specifications

- Voltage rating : 100V AC/DC
- Current rating : 2A AC/DC.
- Withstanding voltage : 800V AC/Minute
- Insulation resistance : 1000MΩMin
- Temperature range : - 25℃ to + 85℃
(Including temperature rise in applying electrical current)
- Applicable PC board thickness:0.063" (1.6mm)
- Contact resistance : Initial value/10mΩ Max.
After environmental testing/20mΩ Max.



| | | | | | | | | | | | | | | | | |
|------------|----------------|----------------|------------------|--|---|---------|---------|--------|--|------------|---------------|------------------|--------------------------|-------------|--|--|
| | | | | | <p>一般公差 GENERAL TOLERANCE</p> <p>.X ±0.3</p> <p>.XX ±0.2</p> <p>.XXX ±0.1</p> | | | | <p>东莞市翰皓精密电子有限公司 Dongguan HanHao Precision Electronics Co.,Ltd</p> | | | | <p>料号 PART NO J2000T</p> | | | |
| | | | | | | | | | <p>品名 TITLE 2.0 mm Crimp Style connectors</p> | | | | | | | |
| 2011/05/14 | A | B | 修改图框格式 | | | | 核准 APPD | 审核 CHK | 绘图 DR | 日期 DATA | | | | | | |
| 日期 DATE | 旧版次 OLD REV | 新版次 NEW REV | 变更内容 DESCRIPTION | | 审核 CHK | 核准 APPD | SUCCESS | | 刘艳 | 2007/05/03 | 单位 UNIT MM | 比例 SCALE 1: 4 | 图号 NUMBER A-070 | 版次 REV B | | |

环保物料



Recommend PCB Layout

■ Specifications(规格):

- Voltage rating(额定电压): 250V AC / DC
- Current rating(额定电流): 2A AC / DC
- Withstanding voltage(耐压值): 500V AC/minute
- Temperature range(工作温度): -25°C~+85°C
- Insulation resistance(绝缘电阻): ≥1000MΩ
- Contact resistance(接触电阻): ≤10mΩ
- After environmental testing(环境测试后): ≤20mΩ

■ Wafer(针座)

- Part No. (料号): J2001W-XX
- Poles (PIN数): 02-20
- Material (材质): Housing(胶壳): Nylon 66 (尼龙66) UL 94V-0
Pin针: Brass (黄铜)
Finish (电镀): Tin-Plated (镀锡)
- Mates With HLB J2000H Series Housing (匹配J2000H系列胶壳)
- Nylon 6T Or Nylon 46 Is Available (可用尼龙6T或尼龙46)
- Q'ty (数量): 1,000Pcs/Bag/每袋 (1,000Pcs)

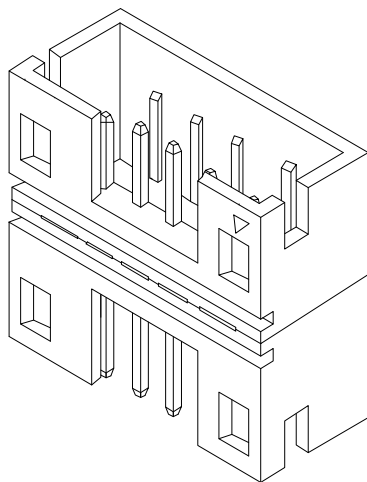
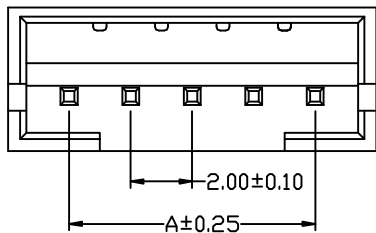
| Poles | Part No | Dimensions (mm) | | Poles | Part No | Dimensions (mm) | |
|-------|-----------|-----------------|-------|-------|-----------|-----------------|-------|
| | | A | B | | | A | B |
| 2 | J2001W-02 | 2.00 | 6.00 | 12 | J2001W-12 | 22.00 | 26.00 |
| 3 | J2001W-03 | 4.00 | 8.00 | 13 | J2001W-13 | 24.00 | 28.00 |
| 4 | J2001W-04 | 6.00 | 10.00 | 14 | J2001W-14 | 26.00 | 30.00 |
| 5 | J2001W-05 | 8.00 | 12.00 | 15 | J2001W-15 | 28.00 | 32.00 |
| 6 | J2001W-06 | 10.00 | 14.00 | 16 | J2001W-16 | 30.00 | 34.00 |
| 7 | J2001W-07 | 12.00 | 16.00 | 17 | J2001W-17 | 32.00 | 36.00 |
| 8 | J2001W-08 | 14.00 | 18.00 | 18 | J2001W-18 | 34.00 | 38.00 |
| 9 | J2001W-09 | 16.00 | 20.00 | 19 | J2001W-19 | 36.00 | 40.00 |
| 10 | J2001W-10 | 18.00 | 22.00 | 20 | J2001W-20 | 38.00 | 42.00 |
| 11 | J2001W-11 | 20.00 | 24.00 | | | | |

| | | | | | | | | | | | | | | | | |
|--|--|--|--|--|---|--|--|--|--|--|--|--|---------------------------------|--|--|--|
| | | | | | <p>一般公差 GENERAL TOLERANCE</p> <p>.X ±0.3</p> <p>.XX ±0.2</p> <p>.XXX ±0.1</p> | | | | <p>东莞市翰皓精密电子有限公司 Dongguan HanHao Precision Electronics Co.,Ltd</p> | | | | <p>料号 PART NO J2001W-XX</p> | | | |
| | | | | | <p>角法 PROJECT</p> <p>⊕ ⊖</p> | | | | <p>品名 TITLE 2.0 mm Crimp Style connectors</p> | | | | | | | |
| | | | | | <p>核准 APPD 审核 CHK 绘图 DR 日期 DATA</p> | | | | <p>单位 UNIT 比例 SCALE 图号 NUMBER 版次 REV</p> | | | | | | | |
| | | | | | <p>2011/05/14 A B 修改图框格式</p> | | | | <p>MM 1: 4 A-070 B</p> | | | | | | | |
| | | | | | <p>日期 DATE 旧版次 OLD REV 新版次 NEW REV 变更内容 DESCRIPTION 审核 CHK 核准 APPD</p> | | | | <p>SUCCESS 刘艳 2007/05/03</p> | | | | | | | |

1 | 2 | 3 | 4 | 5 | 6 | 7 | 8

F
E
D
C
B
A

F
E
D
C
B
A

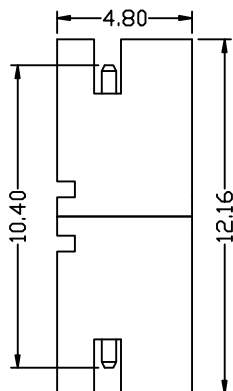
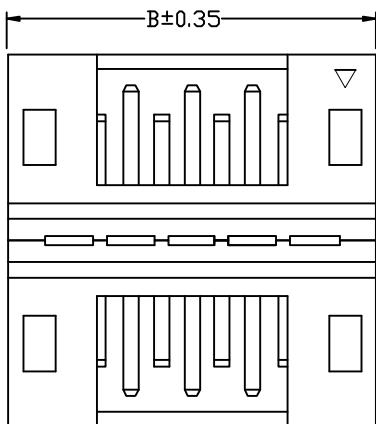


Specifications

- Voltage Rating : 100V AC/DC
- Current Rating : 2A AC/DC.
- Withstanding Voltage : 800V AC/Minute
- Insulation Resistance : 1000M Ω Min.
- Temperature Range : - 25 $^{\circ}$ C to + 85 $^{\circ}$ C
- Contact Resistance : Initial value/10m Ω Max.
- After Environmental Testing/20m Ω Max.

Wafer

- Part No. : J2001WI
- Poles : 02-20
- Material : Nylon 66 UL94V-0
- Material: Phosphor Bronze
- Finish: Tin-Plated
- Q'ty : 1,000 Pcs/Bag



| Poles | Part No | Dimensions (mm) | |
|-------|------------|-----------------|-------|
| | | A | B |
| 2 | J2001WI-02 | 2.00 | 6.00 |
| 3 | J2001WI-03 | 4.00 | 8.00 |
| 4 | J2001WI-04 | 6.00 | 10.00 |
| 5 | J2001WI-05 | 8.00 | 12.00 |
| 6 | J2001WI-06 | 10.00 | 14.00 |
| 7 | J2001WI-07 | 12.00 | 16.00 |
| 8 | J2001WI-08 | 14.00 | 18.00 |
| 9 | J2001WI-09 | 16.00 | 20.00 |
| 10 | J2001WI-10 | 18.00 | 22.00 |
| 11 | J2001WI-11 | 20.00 | 24.00 |
| 12 | J2001WI-12 | 22.00 | 26.00 |
| 13 | J2001WI-13 | 24.00 | 28.00 |
| 14 | J2001WI-14 | 26.00 | 30.00 |
| 15 | J2001WI-15 | 28.00 | 32.00 |
| 16 | J2001WI-16 | 30.00 | 34.00 |
| 17 | J2001WI-17 | 32.00 | 36.00 |
| 18 | J2001WI-18 | 34.00 | 38.00 |
| 19 | J2001WI-19 | 36.00 | 40.00 |
| 20 | J2001WI-20 | 38.00 | 42.00 |

| DATE | OLD REV | NEW REV | ECN | DESCRIPTION | CHECK | APPROVAL | PROJECT |
|------------|---------|---------|-----|---------------------|-------|----------|---------|
| 2011/05/22 | A | B | | Modify frame format | Jova | Jova Lau | ⊕ |

GENERAL TOLERANCE
 X ± 0.30
 XX ± 0.20
 XXX ± 0.10

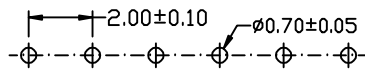
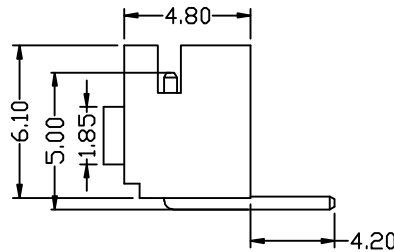
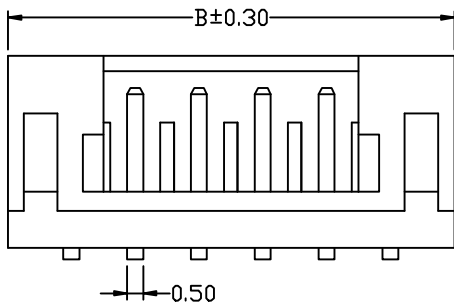
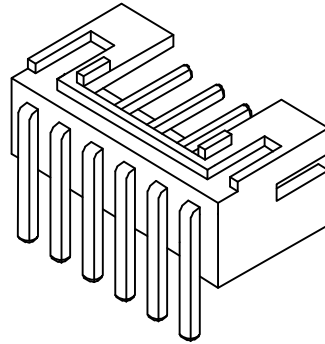
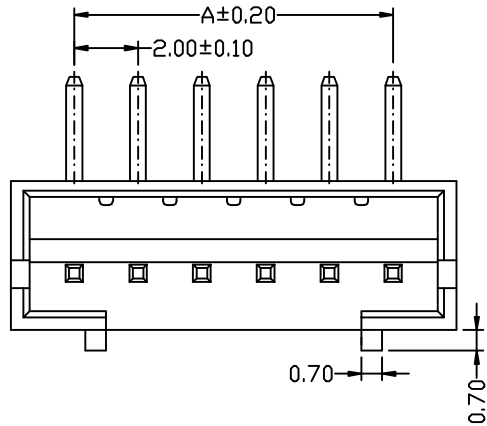
东莞市翰皓精密电子有限公司
 Dongguan HanHao Precision Electronics Co.,Ltd

| APPROVAL | CHECK | DRAWN | DATA |
|----------|--------|---------|------------|
| Smak | Yu wei | Liu Yan | 2011/05/22 |

| PART NO. J2001WI-XX | | | |
|---|-------|--------|-----|
| TITLE 2.0 mm Crimp Style Connectors | | | |
| UNIT | SCALE | NUMBER | REV |
| mm | 1:1 | 8 | B |

1 | 2 | 3 | 4 | 5 | 6 | 7 | 8

环保物料



Recommnd PCB Layout

■ Specifications(规格):

- Voltage rating(额定电压): 250V AC / DC
- Current rating(额定电流): 2A AC / DC
- Withstanding voltage(耐压值): 500V AC/minute
- Temperature range(工作温度): -25°C~+85°C
- Insulation resistance(绝缘电阻) ≥1000MΩ
- Contact resistance(接触电阻): ≤10mΩ
- After environmental testing(环境测试后): ≤20mΩ

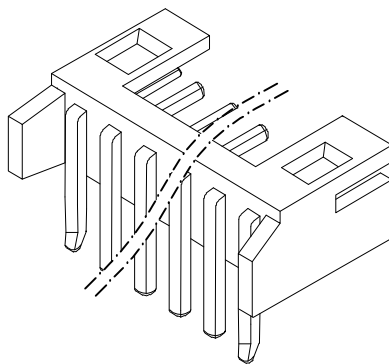
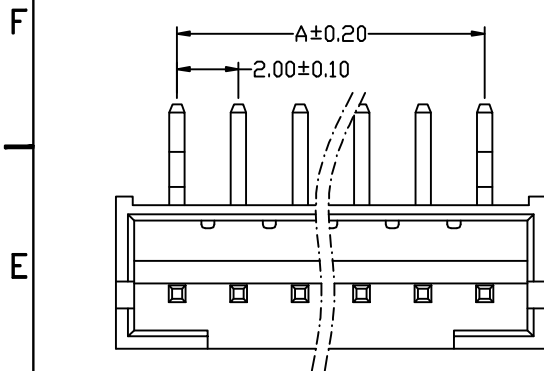
■ Wafer(针座)

- Part No. (料号): J2001WR-XX
- Poles (PIN数): 02-20
- Material (材质): Housing(胶壳): Nylon 66 (尼龙66) UL 94V-0
Pin针: Brass (黄铜)
Finish (电镀): Tin-Plated (镀锡)
- Mates With HLB J2000H Series Housing (匹配J2000H系列胶壳)
- Nylon 6T Or Nylon 46 Is Available (可用尼龙6T或尼龙46)
- Q'ty (数量): 1,000Pcs/Bag/每袋 (1,000Pcs)

| Poles | Part No | Dimensions (mm) | |
|-------|------------|-----------------|-------|
| | | A | B |
| 2 | J2001WR-02 | 2.00 | 6.00 |
| 3 | J2001WR-03 | 4.00 | 8.00 |
| 4 | J2001WR-04 | 6.00 | 10.00 |
| 5 | J2001WR-05 | 8.00 | 12.00 |
| 6 | J2001WR-06 | 10.00 | 14.00 |
| 7 | J2001WR-07 | 12.00 | 16.00 |
| 8 | J2001WR-08 | 14.00 | 18.00 |
| 9 | J2001WR-09 | 16.00 | 20.00 |
| 10 | J2001WR-10 | 18.00 | 22.00 |
| 11 | J2001WR-11 | 20.00 | 24.00 |
| 12 | J2001WR-12 | 22.00 | 26.00 |
| 13 | J2001WR-13 | 24.00 | 28.00 |
| 14 | J2001WR-14 | 26.00 | 30.00 |
| 15 | J2001WR-15 | 28.00 | 32.00 |
| 16 | J2001WR-16 | 30.00 | 34.00 |
| 17 | J2001WR-17 | 32.00 | 36.00 |
| 18 | J2001WR-18 | 34.00 | 38.00 |
| 19 | J2001WR-19 | 36.00 | 40.00 |
| 20 | J2001WR-20 | 38.00 | 42.00 |

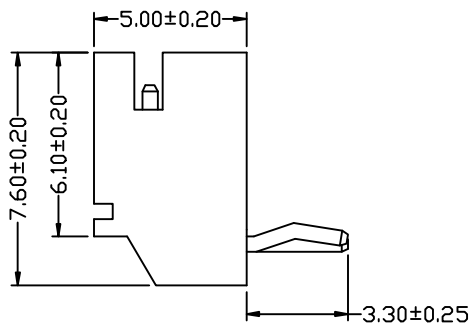
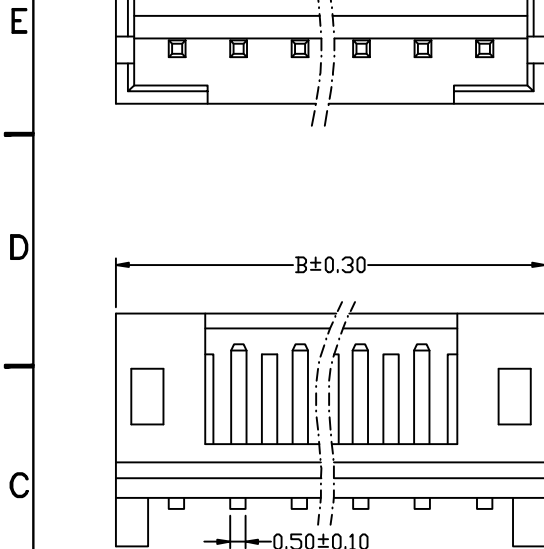
| | | | | | | | | | | | | | | |
|------------|-------------|-------------|------------------|--|---------------------------|--|--|--|--|---|--|--|--|--|
| | | | | | 一般公差 GENERAL TOLERANCE | 东莞市翰皓精密电子有限公司 Dongguan HanHao Precision Electronics Co.,Ltd | | | | 料号 PART NO J2001WR-XX | | | | |
| | | | | | .X ±0.3 | 核准 APPD 审核 CHK 绘图 DR 日期 DATA | | | | 品名 TITLE 2.0 mm Crimp Style connectors | | | | |
| | | | | | .XX ±0.2 | | | | | 单位 UNIT 比例 SCALE 图号 NUMBER 版次 REV | | | | |
| | | | | | .XXX ±0.1 | SUCCESS 刘艳 2007/05/03 | | | | MM 1: 4 A-070 B | | | | |
| 2011/05/14 | A | B | 修改图框格式 | | 角法 PROJECT | | | | | | | | | |
| 日期 DATE | 旧版次 OLD REV | 新版次 NEW REV | 变更内容 DESCRIPTION | | 审核 CHK | 核准 APPD | | | | | | | | |

1 | 2 | 3 | 4 | 5 | 6 | 7 | 8



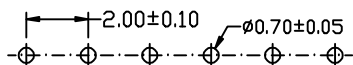
■ Specifications(规格) :

- Voltage rating(额定电压) : 100V AC / DC
- Current rating(额定电流) : 2A AC / DC
- Withstanding voltage(耐压值) : 800V AC/minute
- Temperature range(工作温度) : -25°C~+85°C
- Insulation resistance(绝缘电阻) : ≥1000MΩ
- Contact resistance(接触电阻) : ≤10mΩ
- After environmental testing(环境测试后) : ≤20mΩ



■ Wafer(针座)

- Part No. (料号) : J2001WRK
- Poles (PIN数) : 02-20
- Material (材质) : Housing(胶壳) : Nylon 66 (尼龙66) UL 94V-0
Pin针: Brass (黄铜)
Finish (电镀) : Tin-Plated (镀锡)
- Mates With HLB J2001 Series Housing (匹配J2001系列胶壳)
- Nylon 6T Or Nylon 46 Is Available (可用尼龙6T或尼龙46)
- Q' ty (数量) : 1,000Pcs/Bag/每袋 (1,000Pcs)



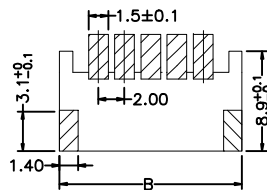
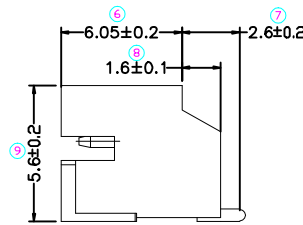
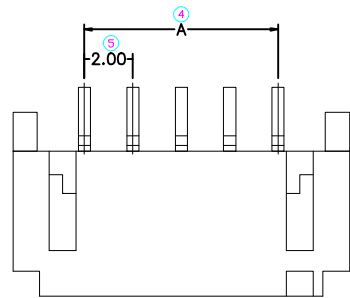
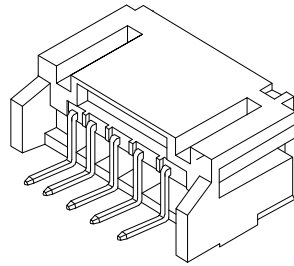
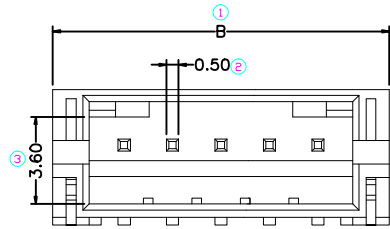
Recommmand PCB Layout

| Poles | Part No | Dimensions (mm) | | Poles | Part No | Dimensions (mm) | |
|-------|----------|-----------------|-------|-------|----------|-----------------|-------|
| | | A | B | | | A | B |
| 2 | 2018K-02 | 2.00 | 6.00 | 12 | 2018K-12 | 22.00 | 26.00 |
| 3 | 2018K-03 | 4.00 | 8.00 | 13 | 2018K-13 | 24.00 | 28.00 |
| 4 | 2018K-04 | 6.00 | 10.00 | 14 | 2018K-14 | 26.00 | 30.00 |
| 5 | 2018K-05 | 8.00 | 12.00 | 15 | 2018K-15 | 28.00 | 32.00 |
| 6 | 2018K-06 | 10.00 | 14.00 | 16 | 2018K-16 | 30.00 | 34.00 |
| 7 | 2018K-07 | 12.00 | 16.00 | 17 | 2018K-17 | 32.00 | 36.00 |
| 8 | 2018K-08 | 14.00 | 18.00 | 18 | 2018K-18 | 34.00 | 38.00 |
| 9 | 2018K-09 | 16.00 | 20.00 | 19 | 2018K-19 | 36.00 | 40.00 |
| 10 | 2018K-10 | 18.00 | 22.00 | 20 | 2018K-20 | 38.00 | 42.00 |
| 11 | 2018K-11 | 20.00 | 24.00 | | | | |

| | | | | | | | | | | | | | | | | | | | |
|--|--|--|--|--|--|--|--|--|--|--|--|---|--|--|--|--------------------------------|--|--|--|
| | | | | | | | | GENERAL TOLERANCE X ±0.30 XX ±0.20 XXX ±0.10 | | | | 东莞市翰皓精密电子有限公司 Dongguan HanHao Precision Electronics Co.,Ltd | | | | PART NO. J2001WRK-XX | | | |
| | | | | | | | | | | | | TITLE 2.0 mm Crimp Style Connectors | | | | | | | |
| | | | | | | | | APPROVAL Smark Yu wei Liu Yan | | | | DATA 2011/05/22 | | | | | | | |
| | | | | | | | | PROJECT | | | | UNIT mm | | | | | | | |
| | | | | | | | | | | | | SCALE 1:1 | | | | | | | |
| | | | | | | | | | | | | NUMBER 8 | | | | | | | |
| | | | | | | | | | | | | REV B | | | | | | | |

1 | 2 | 3 | 4 | 5 | 6 | 7 | 8

环保物料



P.C.B LAYOUT

■ Specifications(规格):

- Voltage rating(额定电压): 250V AC/DC
- Current rating(额定电流): 2A AC/DC
- Withstanding voltage(耐压值): 500V AC/minute
- Temperature range(工作温度): -25°C~+85°C
- Insulation resistance(绝缘电阻) ≥1000MΩ
- Contact resistance(接触电阻) ≤10mΩ
- After environmental testing(环境测试后): ≤20mΩ

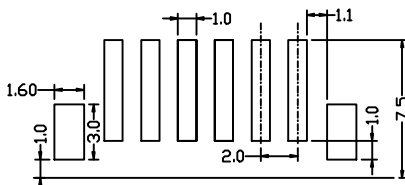
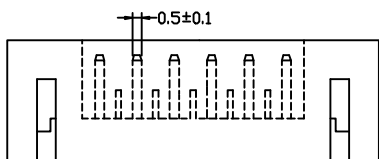
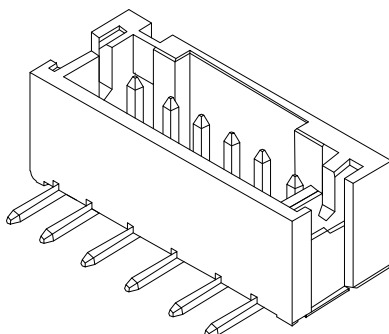
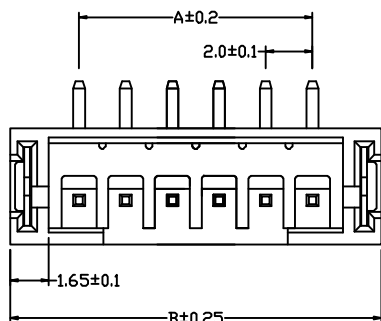
■ Wafer(针座)

- Part No. (料号): J2001WRS-XX
- Poles (PIN数): 02-20
- Material (材质): Housing(胶壳): Nylon 66 (尼龙66) UL 94V-0
Pin针: Brass (黄铜)
Finish (电镀): Tin-Plated (镀锡)
- Mates With HLB J2000H Series Housing (匹配J2000H系列胶壳)
- Nylon 6T Or Nylon 46 Is Available (可用尼龙6T或尼龙46)
- Q'ty (数量): 1,000Pcs/Rol(1000PCS/卷)

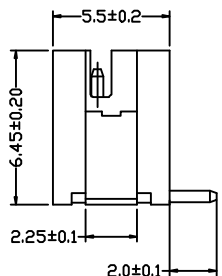
| Poles | Part No | Dimensions (mm) | |
|-------|-------------|-----------------|-------|
| | | A | B |
| 2 | J2001WRS-02 | 2.00 | 8.00 |
| 3 | J2001WRS-03 | 4.00 | 10.00 |
| 4 | J2001WRS-04 | 6.00 | 12.00 |
| 5 | J2001WRS-05 | 8.00 | 14.00 |
| 6 | J2001WRS-06 | 10.00 | 16.00 |
| 7 | J2001WRS-07 | 12.00 | 18.00 |
| 8 | J2001WRS-08 | 14.00 | 20.00 |
| 9 | J2001WRS-09 | 16.00 | 22.00 |
| 10 | J2001WRS-10 | 18.00 | 24.00 |
| 11 | J2001WRS-11 | 20.00 | 26.00 |
| 12 | J2001WRS-12 | 22.00 | 28.00 |
| 13 | J2001WRS-13 | 24.00 | 30.00 |
| 14 | J2001WRS-14 | 26.00 | 32.00 |
| 15 | J2001WRS-15 | 28.00 | 34.00 |
| 16 | J2001WRS-16 | 30.00 | 36.00 |

| | | | | | | | | | | | | | | | | |
|------------|-------------|-------------|------------------|--|---|---------|---------|--------|--|------------|---------|----------|-------------------------------|--------|--|--|
| | | | | | <p>一般公差 GENERAL TOLERANCE</p> <p>.X ±0.3</p> <p>.XX ±0.2</p> <p>.XXX ±0.1</p> | | | | <p>东莞市翰皓精密电子有限公司 Dongguan HanHao Precision Electronics Co.,Ltd</p> | | | | <p>料号 PART NO J2001WRS-XX</p> | | | |
| | | | | | | | | | <p>品名 TITLE</p> <p>2.0 mm Crimp Style connectors</p> | | | | | | | |
| 2011/05/14 | A | B | 修改图框格式 | | | | 核准 APPD | 审核 CHK | 绘图 DR | 日期 DATA | | | | | | |
| 日期 DATE | 旧版次 OLD REV | 新版次 NEW REV | 变更内容 DESCRIPTION | | 审核 CHK | 核准 APPD | SUCCESS | | 刘艳 | 2007/05/03 | 单位 UNIT | 比例 SCALE | 图号 NUMBER | 版次 REV | | |
| 1 | | | | | | | | | | | MM | 1: 4 | A-070 | B | | |

环保物料



Recommend PCB Layout



■ SPECIFICATIONS

- Voltage rating : 100V AC, DC
- Current rating : 2A AC,DC.
- Withstanding voltage : 800V AC/minute
- Insulation resistance : 1000MΩmin.
- Temperature range : - 25 °C to + 85 °C
- Contact resistance : Initial value/10mΩmax.
- After environmental testing/20mΩmax.

■ WAFER

- Part No. : J2001WS-XX
- Poles : 02-16
- Material : Contact : Phosphor Bronze, Tin Plated
Base : Nylon 9T UL94V-0
- Mates with HLB J2000H series Housing
- Q' ty : 1,000 Pcs/Tape or Reel

| Poles | Part No | Dimensions (mm) | |
|-------|------------|-----------------|-------|
| | | A | B |
| 2 | J2001WS-02 | 2.00 | 8.00 |
| 3 | J2001WS-03 | 4.00 | 10.00 |
| 4 | J2001WS-04 | 6.00 | 12.00 |
| 5 | J2001WS-05 | 8.00 | 14.00 |
| 6 | J2001WS-06 | 10.00 | 16.00 |
| 7 | J2001WS-07 | 12.00 | 18.00 |
| 8 | J2001WS-08 | 14.00 | 20.00 |
| 9 | J2001WS-09 | 16.00 | 22.00 |
| 10 | J2001WS-10 | 18.00 | 24.00 |
| 11 | J2001WS-11 | 20.00 | 26.00 |
| 12 | J2001WS-12 | 22.00 | 28.00 |
| 13 | J2001WS-13 | 24.00 | 30.00 |
| 14 | J2001WS-14 | 26.00 | 32.00 |
| 15 | J2001WS-15 | 28.00 | 34.00 |
| 16 | J2001WS-16 | 30.00 | 36.00 |

| | | | | | | | | | | | | | | |
|------------|-------------|-------------|------------------|--|---------------------------|--|--|--|--|---|--|--|--|--|
| | | | | | 一般公差 GENERAL TOLERANCE | 东莞市翰皓精密电子有限公司 Dongguan HanHao Precision Electronics Co.,Ltd | | | | 料号 PART NO J2001WS-XX | | | | |
| | | | | | .X ±0.3 | 核准 APPD 审核 CHK 绘图 DR 日期 DATA | | | | 品名 TITLE 2.0 mm Crimp Style connectors | | | | |
| | | | | | .XX ±0.2 | | | | | 单位 UNIT 比例 SCALE 图号 NUMBER 版次 REV | | | | |
| | | | | | .XXX ±0.1 | SUCCESS 刘艳 2007/05/03 | | | | MM 1:4 A-070 B | | | | |
| 2011/05/14 | A | B | 修改图框格式 | | 角法 PROJECT | | | | | | | | | |
| 日期 DATE | 旧版次 OLD REV | 新版次 NEW REV | 变更内容 DESCRIPTION | | 审核 CHK | 核准 APPD | | | | | | | | |