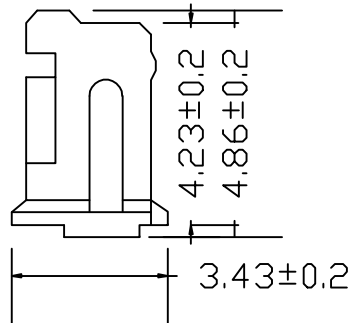
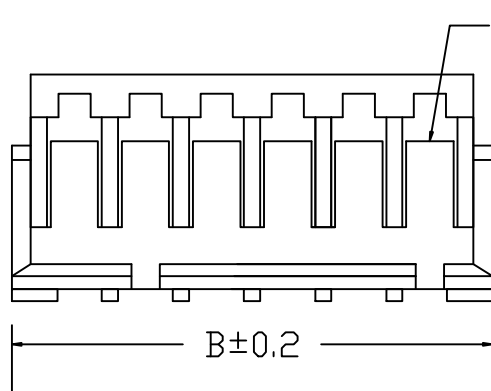
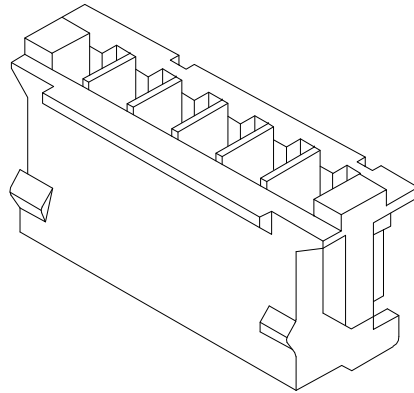
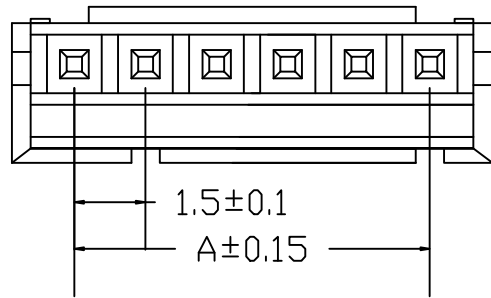


环保物料



■ Specifications(规格) :

- Voltage rating(额定电压): 500V AC / DC
- Current rating(额定电流): 0.7A AC / DC
- Withstanding voltage(耐压值): 500V AC/minute
- Temperature range(工作温度): -25°C~+85°C
- Insulation resistance(绝缘电阻): ≥500MΩ
- Contact resistance(接触电阻): ≤10mΩ
- After environmental testing(环境测试后): ≤20mΩ

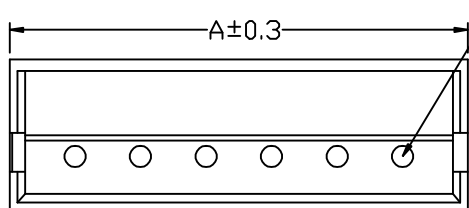
■ Housing(胶壳)

- Part No. (料号) :J1501H00-XXP
- Poles (PIN数) : 02-15
- Material (材质) : Nylon 66 (尼龙66) UL 94V-0
- Q'ty (数量) : 1,000Pcs/Bag/每袋 (1,000Pcs)

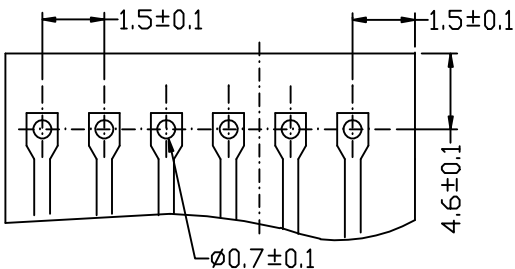
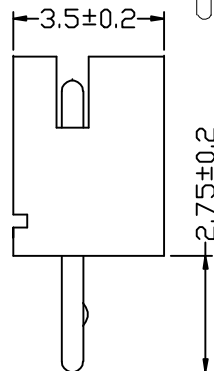
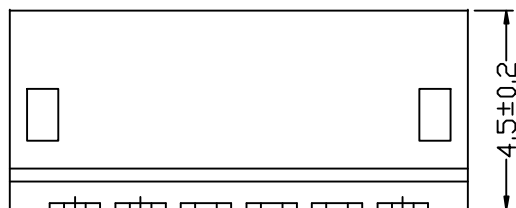
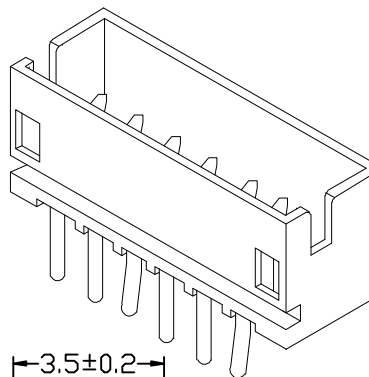
Poles	Part No	Dimensions (mm)	
		A	B
2	1502H00-02P-1	1.50	4.50
3	1502H00-03P-1	3.00	6.00
4	1502H00-04P-1	4.50	7.50
5	1502H00-05P-1	6.00	9.00
6	1502H00-06P-1	7.50	10.50
7	1502H00-07P-1	9.00	12.00
8	1502H00-08P-1	10.50	13.50
9	1502H00-09P-1	12.00	15.00
10	1502H00-10P-1	13.50	16.50
11	1502H00-11P-1	15.00	18.00
12	1502H00-12P-1	16.50	19.50
13	1502H00-13P-1	18.00	21.00
14	1502H00-14P-1	19.50	22.50
15	1502H00-15P-1	21.00	24.00

					<p>一般公差 GENERAL TOLERANCE</p> <p>.X ±0.3</p> <p>.XX ±0.2</p> <p>.XXX ±0.1</p>				<p>深圳市翰皓精密电子有限公司 Dongguan HanHao Precision Electronics Co.,Ltd</p>				<p>料号 PART NO J1501H-XXP</p>			
									<p>品名 TITLE 1.50 mm Crimp Style connectors</p>							
2011/05/14	A	B	修改图框格式				核准 APPD	审核 CHK	绘图 DR	日期 DATA						
日期 DATE	旧版次 OLD REV	新版次 NEW REV	变更内容 DESCRIPTION		审核 CHK	核准 APPD	角注 PROJECT	DO	SUCCESS	刘艳	2007/05/03	单位 UNIT	比例 SCALE	图号 NUMBER	版次 REV	
1							⊕					MM	1/1	A-106	B	

环保物料



Circuit 1



Recommend PCB Layout

■ Specifications(规格) :

- Voltage rating(额定电压):100V AC / DC
- Current rating(额定电流): 1A AC / DC
- Withstanding voltage(耐压值): 500V AC/minute
- Temperature range(工作温度): -25°C~+85°C
- Insulation resistance(绝缘电阻) $\geq 500M\Omega$
- Contact resistance(接触电阻): $\leq 20m\Omega$
- After environmental testing(环境测试后): $\leq 30m\Omega$

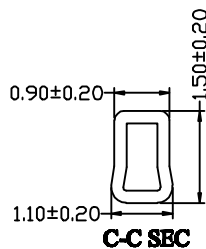
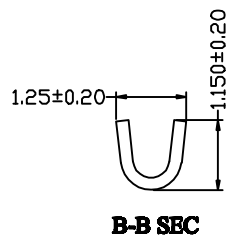
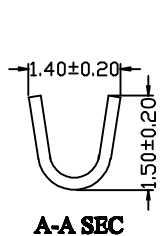
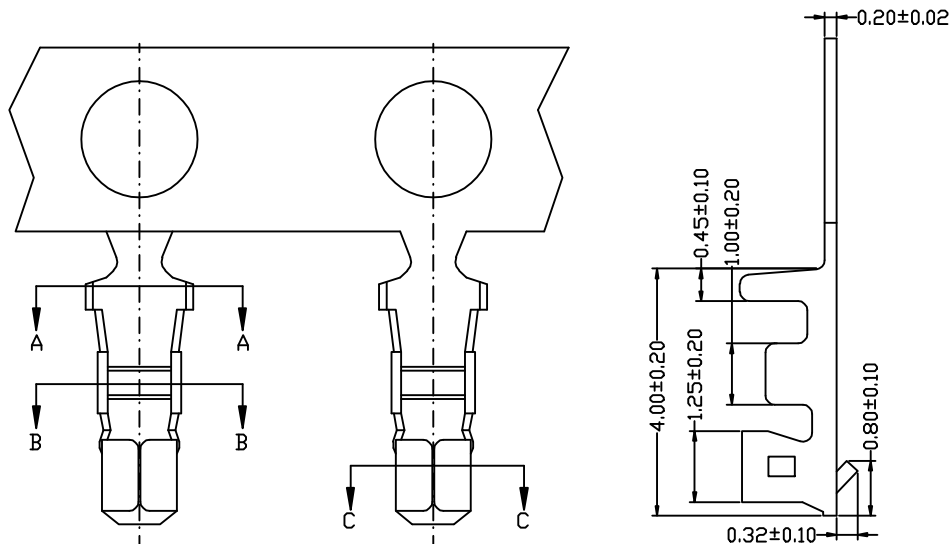
■ Wafer(针座)

- Part No. (料号): J1502WVK-XXP
- Poles (PIN数): 02-15
- Material (材质): Housing(胶壳): Nylon 66 (尼龙66) UL 94V-0
Pin针: Brass (黄铜)
Finish (电镀): Tin-Plated (镀锡)
- Mates With HLB J1501H-XXP Series Housing (匹配J1501H-XXP系列胶壳)
- Q'ty (数量): 1,000Pcs/Bag/每袋 (1,000Pcs)

Poles	Part No	Dimensions (mm)	
		A	B
2	J1501W-02P	4.55	1.50
3	J1501W-03P	6.05	3.00
4	J1501W-04P	7.55	4.50
5	J1501W-05P	9.05	6.00
6	J1501W-06P	10.55	7.50
7	J1501W-07P	12.05	9.00
8	J1501W-08P	13.55	10.50
9	J1501W-09P	15.05	12.00
10	J1501W-10P	16.55	13.50
11	J1501W-11P	18.05	15.00
12	J1501W-12P	19.55	16.50
13	J1501W-13P	21.05	18.00
14	J1501W-14P	22.50	19.50
15	J1501W-15P	24.05	21.00

					一般公差 GENERAL TOLERANCE	东莞市翰皓精密电子有限公司 Dongguan HanHao Precision Electronics Co.,Ltd				料号 PART NO J1501WVK-XXP				
					.X ±0.3 .XX ±0.2 .XXX ±0.1	核准 APPD				品名 TITLE 1.50 mm Crimp Style connectors				
2011/05/14	A	B	修改图框格式			审核 CHK				日期 DATA				
日期 DATE	旧版次 OLD REV	新版次 NEW REV	变更内容 DESCRIPTION		审核 CHK	核准 APPD	角法 PROJECT				单位 UNIT	比例 SCALE	图号 NUMBER	版次 REV
							D SUCCESS 刘艳 2007/05/03				MM	1/1	A-106	B

环保物料



■ SPECIFICATIONS

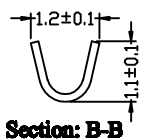
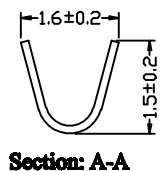
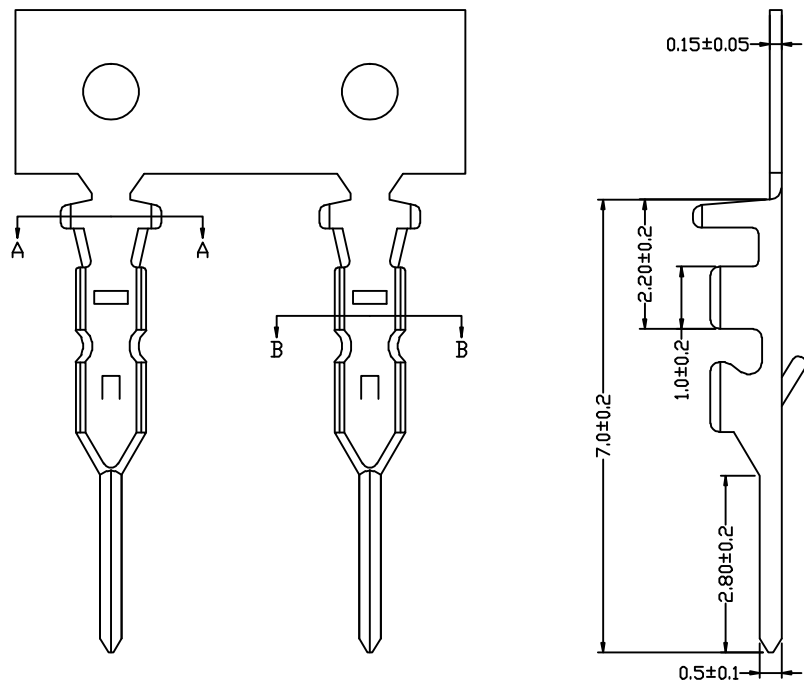
- Voltage Rating: 100V AC, DC
- Current Rating: 1A, AC/DC
- Withstanding Voltage: 500V AC/minute
- Insulation Resistance: 500MΩmin
- Temperature Range: -25°C~+85°C
- Contact resistance: Intial value/20mΩmax
- After enviornmental testing/20mΩmax

■ TERMINAL

- Part No.: J1501T
- Applicable Wire: AWG#28-32
- Material: Phosphor Bronze
- Finish: Tin-plated
- Used in HLB J1501H series Housing
- Q'ty: 10000 pcs/reel

					一般公差 GENERAL TOLERANCE .X ±0.3 .XX ±0.2 .XXX ±0.1				东莞市翰皓精密电子有限公司 Dongguan HanHao Precision Electronics Co.,Ltd				料号 PART NO J1501T			
									品名 TITLE 1.5 mm Crimp Style connectors							
2011/05/14	A	B	修改图框格式						核准 APPD	审核 CHK	绘图 DR	日期 DATA	单位 UNIT	比例 SCALE	图号 NUMBER	版次 REV
日期 DATE	旧版次 OLD REV	新版次 NEW REV	变更内容 DESCRIPTION		审核 CHK	核准 APPD	角注 PROJECT	DK	SUCCESS	刘艳	2007/05/03	MM	1: 4	A-070	B	

环保物料



■ SPECIFICATIONS

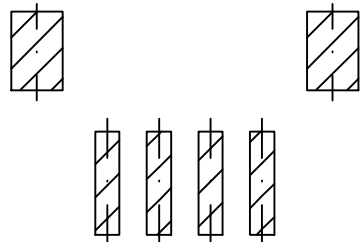
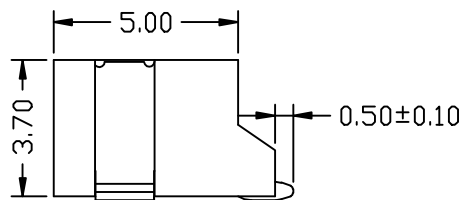
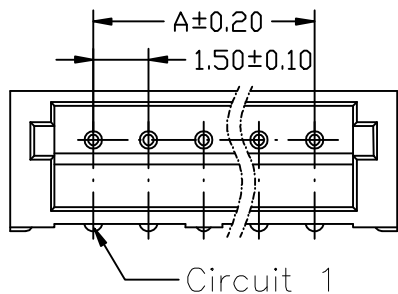
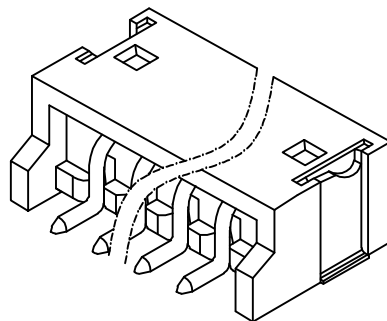
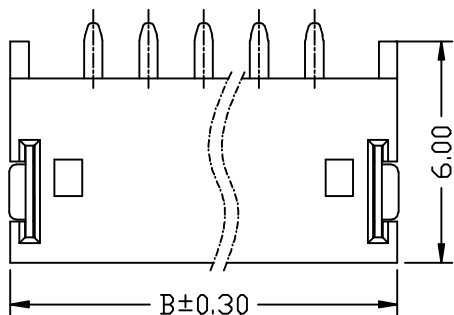
- Voltage Rating: 100V AC, DC
- Current Rating: 1A, AC/DC
- Withstanding Voltage: 500V AC/minute
- Insulation Resistance: 500MΩmin
- Temperature Range: -25°C~+85°C
- Contact resistance: Intial value/20mΩmax
- After enviornmental testing/20mΩmax

■ TERMINAL

- Part No.: J1501-FT
- Applicable Wire: AWG#28-32
- Material: Phosphor Bronze
- Q'ty: 10000 pcs/reel

					一般公差 GENERAL TOLERANCE .X ±0.3 .XX ±0.2 .XXX ±0.1				东莞市翰皓精密电子有限公司 Dongguan HanHao Precision Electronics Co.,Ltd				料号 PART NO J1501-FT			
									品名 TITLE 1.5 mm Crimp Style connectors							
2011/05/14	A	B	修改图框格式						核准 APPD	审核 CHK	绘图 DR	日期 DATA				
日期 DATE	旧版次 OLD REV	新版次 NEW REV	变更内容 DESCRIPTION		审核 CHK	核准 APPD	角注 PROJECT	DK	SUCCESS	刘艳	2007/05/03	单位 UNIT MM	比例 SCALE 1: 4	图号 NUMBER A-070	版次 REV B	

环保物料



Recommnd PCB Layout

■ Specifications(规格) :

- Voltage rating(额定电压):100V AC / DC
- Current rating(额定电流): 1A AC / DC
- Withstanding voltage(耐压值): 500V AC/minute
- Temperature range(工作温度): -25°C~+85°C
- Insulation resistance(绝缘电阻): ≥500MΩ
- Contact resistance(接触电阻): ≤20mΩ
- After environmental testing(环境测试后): ≤30mΩ

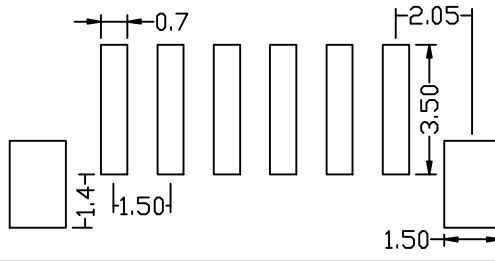
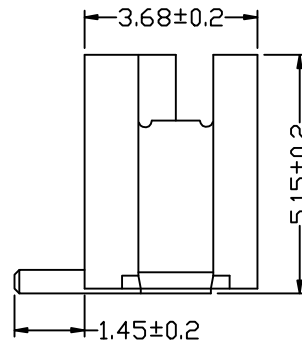
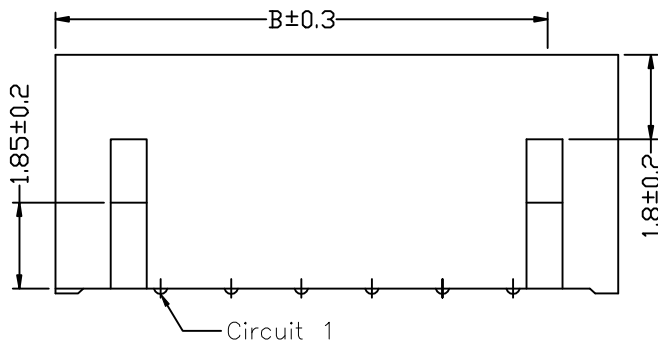
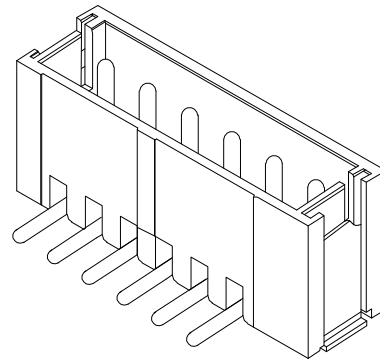
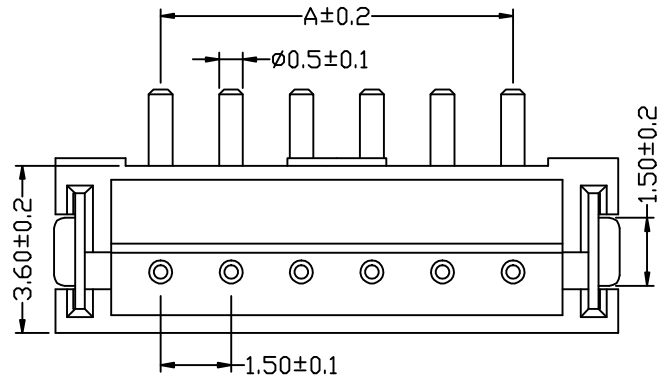
■ Wafer(针座)

- Part No. (料号) : J1501WRS-XXP
- Poles (PIN数) : 02-15
- Material (材质) :Housing(胶壳) :Nylon 6T (尼龙6T) UL 94V-0
Pin针:Brass (黄铜)
Finish (电镀) :Tin-Plated (镀锡)
Solder Tabs (定位片) :Brass (黄铜)
Finish (电镀) :Tin-Plated (镀锡)
- Mates With HHB J1501H-XXP Series Housing
(匹配1502H00-XXP系列胶壳)

Poles	Part No	Dimensions (mm)	
		A	B
2	J1501WRS-02P	1.50	6.00
3	J1501WRS-03P	3.00	7.50
4	J1501WRS-04P	4.50	9.00
5	J1501WRS-05P	6.00	10.50
6	J1501WRS-06P	7.50	12.00
7	J1501WRS-07P	9.00	13.50
8	J1501WRS-08P	10.50	15.00
9	J1501WRS-09P	12.00	16.50
10	J1501WRS-10P	13.50	18.00
11	J1501WRS-11P	15.00	19.50
12	J1501WRS-12P	16.50	21.00
13	J1501WRS-13P	18.00	22.50
14	J1501WRS-14P	19.50	24.00
15	J1501WRS-15P	21.00	25.50

					<p>一般公差 GENERAL TOLERANCE</p> <p>.X ±0.3 .XX ±0.2 .XXX ±0.1</p>				<p>东莞市翰皓精密电子有限公司 Dongguan HanHao Precision Electronics Co.,Ltd</p>				<p>料号 PART NO J1501WRS-XXP</p>			
									<p>品名 TITLE 1.50 mm Crimp Style connectors</p>							
2011/05/14	A	B	修改图框格式				核准 APPD	审核 CHK	绘图 DR	日期 DATA						
日期 DATE	旧版次 OLD REV	新版次 NEW REV	变更内容 DESCRIPTION		审核 CHK	核准 APPD	角法 PROJECT	DO	SUCCESS	刘艳	2007/05/03	单位 UNIT	比例 SCALE	图号 NUMBER	版次 REV	
1			2	3	4	5	6	7	8	MM	1/1	A-106	B			

环保物料



Recommened PCB Layout

■ Specifications(规格) :

- Voltage rating(额定电压):100V AC / DC
- Current rating(额定电流):1A AC / DC
- Withstanding voltage(耐压值): 500V AC/minute
- Temperature range(工作温度): -25°C~+85°C
- Insulation resistance(绝缘电阻): ≥500MΩ
- Contact resistance(接触电阻): ≤20mΩ
- After environmental testing(环境测试后): ≤30mΩ

■ Wafer(针座)

- Part No. (料号) : J1501WVS-XXP
- Poles (PIN数) : 02-15
- Material (材质) : Housing(胶壳) : Nylon 6T (尼龙6T) UL 94V-0
Cap(盖子) : Nylon 6T (尼龙6T) UL 94V-0
Pin针: Brass (黄铜)
Finish (电镀) : Tin-Plated (镀锡)
Solder Tabs(定位片) : Brass (黄铜)
Finish (电镀) : Tin-Plated (镀锡)
- Mates With HHB J1501H-XXP Series Housing (匹配J1501H-XXP系列胶壳)
- Q'ty (数量) : 1,000Pcs/Bag/每袋 (1,000Pcs)

Poles	Part No	Dimensions (mm)	
		A	B
2	J1501WS-02P	1.50	6.00
3	J1501WS-03P	3.00	7.50
4	J1501WS-04P	4.50	9.00
5	J1501WS-05P	6.00	10.50
6	J1501WS-06P	7.50	12.00
7	J1501WS-07P	9.00	13.50
8	J1501WS-08P	10.50	15.00
9	J1501WS-09P	12.00	16.50
10	J1501WS-10P	13.50	18.00
11	J1501WS-11P	15.00	19.50
12	J1501WS-12P	16.50	21.00
13	J1501WS-13P	18.00	22.50
14	J1501WS-14P	19.50	24.00
15	J1501WS-15P	21.00	25.50

					<p>一般公差 GENERAL TOLERANCE</p> <p>.X ±0.3</p> <p>.XX ±0.2</p> <p>.XXX ±0.1</p>				<p>东莞市翰皓精密电子有限公司 Dongguan HanHao Precision Electronics Co.,Ltd</p>				<p>料号 PART NO J1501WVS-XXP</p>					
									<p>品名 TITLE 1.50 mm Crimp Style connectors</p>									
2011/05/14		A	B	修改图框格式														
日期 DATE		旧版次 OLD REV	新版次 NEW REV	变更内容 DESCRIPTION			审核 CHK	核准 APPD	角注 PROJECT	核准 APPD	DO	SUCCESS	绘图 DR	日期 DATA	单位 UNIT	比例 SCALE	图号 NUMBER	版次 REV
1				2						4			刘艳	2007/05/03	MM	1/1	A-106	B